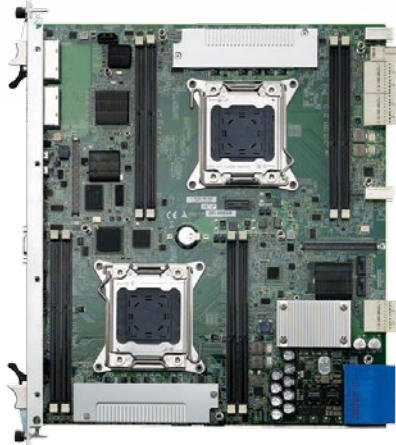


aTCA-6250

Dual Intel® Xeon® E5-2658/2648L
10 Gigabit Ethernet AdvancedTCA® Processor Blade



Features

- Two Intel® Xeon® E5-2658/2648L (8C/16T) processors
- Eight memory sockets support VLP DDR3-1600 REG/ECC up to 128 GB
- Intel® C604 PCH
- Dual 10GBASE-KX4 Fabric Interface channels
- Intel® Hyper-Threading Technology
- Intel® QuickPath Interconnect



Specifications

CPU / Chipset / Memory

CPU	Two Intel® Xeon® E5-2658 (8C/16T) (Socket R) Two Intel® Xeon® E5-2648L (8C/16T) (Socket R)
Chipset	Intel® C604 Chipset
Memory	Eight DDR3-1600 240-pin VLP RDIMM sockets, up to 128 GB

BIOS

Chip	AMI BIOS on SPI flash memory
Features	Intel® PXE pre-boot Remote Console

I/O Interfaces

Graphics	Silicon Motion SM750, PCI-E x1, up to 1920 x 1440 resolution
Ethernet	Dual 10/100/1000BASE-T Base Interface channels Dual 10GBASE-KX4 Fabric Interface channels Quad 10/100/1000BASE-T egress ports
Storage	On-board bootable 16GB SATA DOM, up to 32G
USB	Two USB 2.0 ports on front panel
Front Panel I/O	VGA, USB1/2, LAN1/2/3/4, COM1/2 (mini-USB)

PICMG Standards

AdvancedTCA	PICMG 3.0 R3.0 PICMG 3.1 Ethernet Over PICMG 3.0, Option 9
-------------	---

Other Features

Packet Processing	Optional hardware offload for packet processing acceleration
Acceleration daughter card	
Operating System	Server 2008 R2, Red Hat Enterprise Linux 6.2

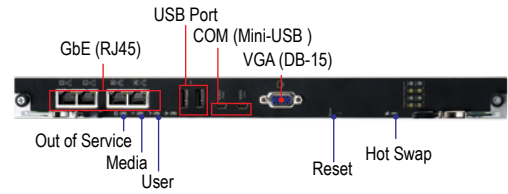
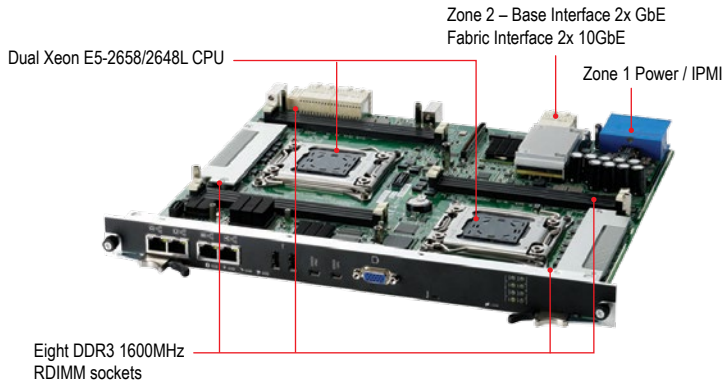
Mechanical and Environmental

Form Factor	PICMG 3.0 R3.0 AdvancedTCA
Dimension	322.25mm x 280mm x 6HP (L x W x H)
Weight	3.85 kg.
Operating Temp.	0°C to +55°C
Storage Temp.	-40°C to +70°C
Humidity	5% to 95%, non-condensing
Shock	20G peak-to-peak, 11ms duration, non-operating
Vibration	Non-operating: 1.88Grms, 5-500Hz each axis Operating: 0.5Grms, 5-500Hz each axis
Power Consumption	Max. 300W with dual Intel® E5-2658 CPU, 250W with dual Intel® E5-2648L CPU
Certification	FCC, CE, UL, NEBS Level 3 (design)

Ordering Information

Model Number	Description/Configuration
aTCA-6250/S2658	Single 8-core Intel® Xeon® E5-2658 2.1GHz 10GbE processor blade
aTCA-6250/S2658/M8G	Single 8-core Intel® Xeon® E5-2658 2.1GHz 10GbE processor blade, DDR3-1600 VLP RDIMM 8GB x1
aTCA-6250/D2658	Dual 8-core Intel® Xeon® E5-2658 2.1GHz 10GbE processor blade
aTCA-6250/D2658/M32G	Dual 8-core Intel® Xeon® E5-2658 2.1GHz 10GbE processor blade, DDR3-1600 VLP RDIMM 8GB x4
aTCA-R6270	aTCA-R6270 RTM with 1x RJ45 Serial Port, 2x USB 2.0 Port, 2x SFP+ 10GbE Port and 2x SAS/SATA HDD Bay (Hot Swappable)

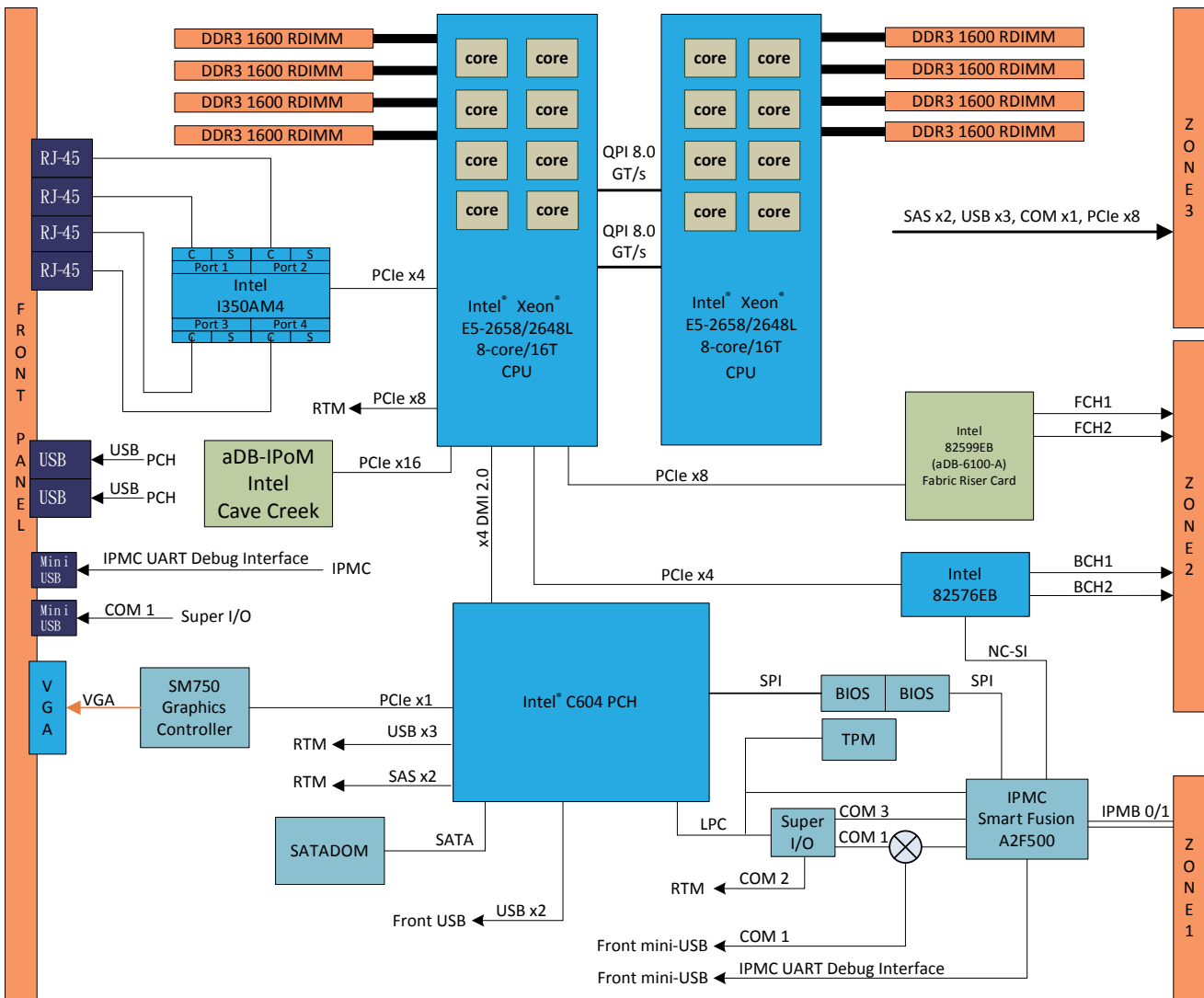
Mechanical Layout



Front Panel I/O Interfaces ————

Front Panel LED Indicators and Reset ————

Functional Diagram



Note: All specifications are subject to change without further notice.