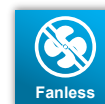


D525DT Series

Features

- ▶ Intel Atom D525 for main stream performance
- ▶ Intel P8400 w/ GM45 for great 3D graphics performance
- ▶ 320GB HDD & 2GB DDR3 RAM Default
- ▶ Accessible 2.5" SATA HDD Space
- ▶ Resistive USB Touch Screen
- ▶ DC 11~32V wide range power input
- ▶ Additional DB15-VGA output
- ▶ Front Panel IP65
- ▶ Fanless Design

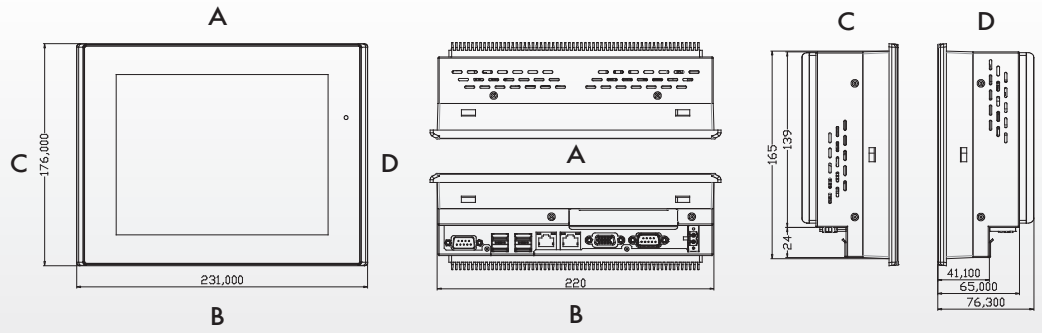


Specification

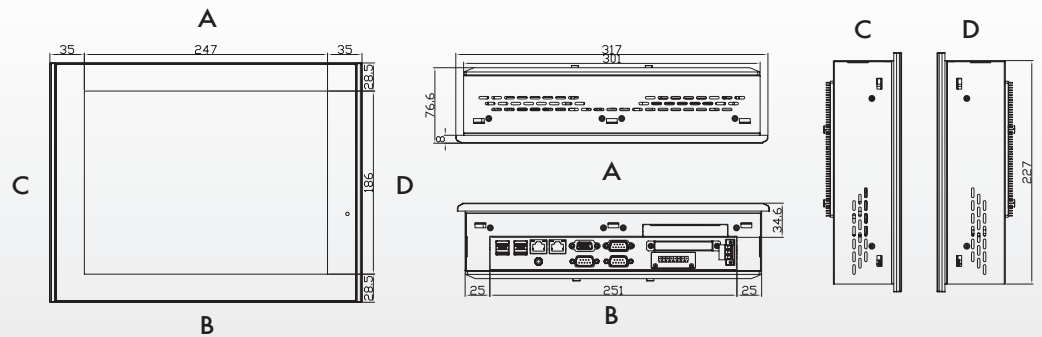
| Model Name | AR-H080FL-D525DT | AR-H120FL-D525DT | AR-H150FL-D525DT | AR-P15BFLDC-P84T |
|-------------------------------------|---|---|----------------------|---|
| System | | | | |
| CPU | Intel® Atom™ D525 1.8GHz Built-in | | | Intel® P8400 2.26 GHz Default |
| Chipset | Intel® ICH8M | | | Intel® GM45 + ICH9M |
| Memory Type | 1 x 204-pin SO-DIMM socket, support DDR3 800MHz | | | 2 x 204-pin SO-DIMM socket, support DDR3 800MHz |
| Memory Pre-Installed | Default 2 GB | | | |
| LCD | | | | |
| Panel Size | 8" TFT-LCD | 12.1" TFT-LCD | 15" TFT-LCD | 15" TFT-LCD |
| Max. Resolution | 800 x 600 | 800 x 600 | 1024 x 768 | 1024 x 768 |
| Luminance (cd/m ²) | 350 | 350 | 400 | 300 |
| View Angle | H:130° / V:110° | H:140° / V:110° | H:160° / V:140° | H:150° / V:140° |
| Backlight Lifetime | 50,000 hrs | | | |
| Touch Screen Type | Overlay Resistive | | Resistive | |
| Storage | | | | |
| HDD | 1 x 2.5" SATA HDD Bay | | | |
| CF | 1 x External CF slot | | 1 x Internal CF slot | |
| I/O | | | | |
| Video Interface | 1 x VGA | | | 1 x VGA & 1 x HDMI |
| Ethernet | 2 x GbE, RJ45 with LED | | | |
| USB | 4 x USB 2.0 | | | |
| Serial Port | 1 x RS-232 (DB9), 1 x RS-422/485 (DB9, Default RS485) | 2 x RS-232 (DB9), 1 x RS-422/485 (DB9, Default RS485) | | |
| Audio | 1 x Audio Line-out 3.5 mm Jack | | | |
| Expansion | N/A | | | 1 x PCI Slot |
| Power Requirement | | | | |
| Power Input | DC 11~32V with Adapter | | | DC 9~32V with Adapter |
| Software | | | | |
| OS Support | Win CE 5.0/6.0, Windows XP Professional, XP Embedded, Windows Embedded Standard 7 | | | |
| Mechanical & Environment | | | | |
| Thermal Design | Fanless | | | |
| Chassis Material | Plastic molding front panel and metal casing | | Metal Casing | |
| Dimension (W x H x D) | 231mm x 176mm x 77mm | 317mm x 243mm x 77mm | 410mm x 310mm x 71mm | 410mm x 310mm x 90mm |
| Net Weight | 3.5 Kgs | 5.9 Kgs | 6.9 Kgs | 7.8 Kgs |
| IP Rating | NEMA 4 / Front panel IP65 | | | Front Panel IP65 |
| Mounting | Panel Mount / VESA 75 x 75 | | | |
| Operating Temp. | 0~50°C | | | -10~50°C |
| Storage Temp. | -20~60°C | | | |
| Relative Humidity | 10 to 90% @ 40°C, non-condensing | | | |
| Safety | CE, FCC class A | | | |

Dimension

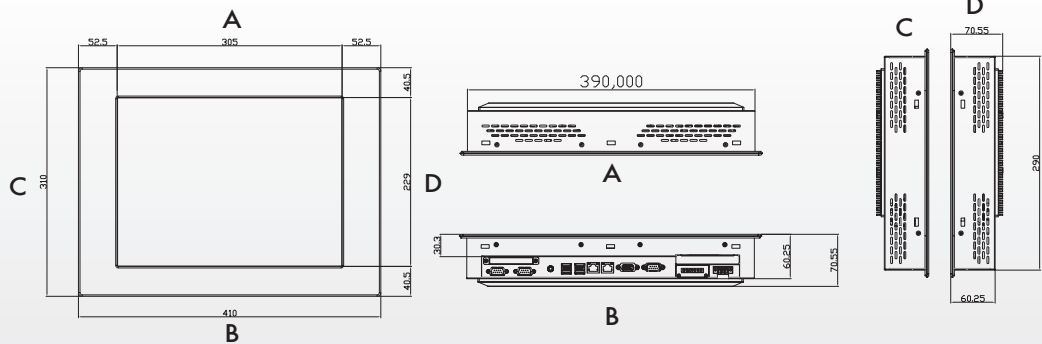
AR-H080FL-D525DT



AR-H120FL-D525DT



AR-H150FL-D525DT



AR-P15BFLDC-P84T

