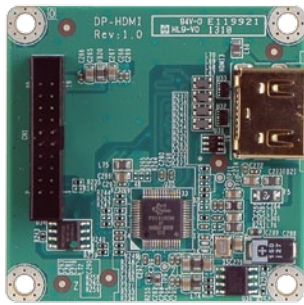
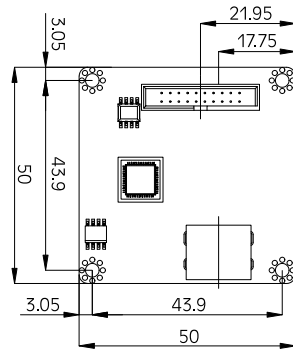


DP-HDMI-R10

DisplayPort to HDMI converter board (For iEi IDP connector), RoHs



Dimensions (Unit: mm)



Features

- ◆ DisplayPort to HDMI output
- ◆ Support up to 1920x1200 resolution

Specifications

- ◆ Display Input: 1 x iEi DisplayPort
- ◆ Display Output: 1 x HDMI
- ◆ Display IC: Parade - PS161 (DP to HDMI / DVI)
- ◆ Temperature: -10°C ~ 60°C
- ◆ Humidity: 5% ~ 95 non-condensing
- ◆ Dimensions: 50 mm x 50 mm

Packing List

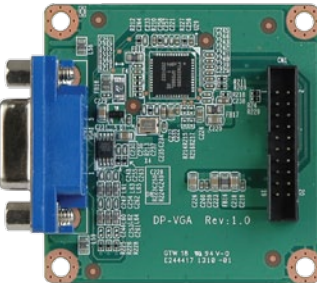
1 x DP-HDMI converte board	1 x QIG
1 x Internal DisplayPort cable, 450 mm length (PN: 32034-000200-100-RS)	

Ordering Information

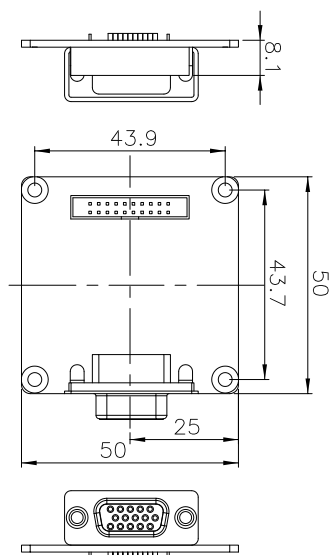
Part No.	Description
DP-HDMI-R10	DisplayPort to HDMI converter board (For iEi IDP connector), RoHs

DP-VGA-R10

DisplayPort to VGA converter board (For iEi IDP connector), RoHs



Dimensions (Unit: mm)



Features

- ◆ DisplayPort to VGA output
- ◆ Support up to 1920x1200 resolution

Specifications

- ◆ Display Input: 1 x iEi DisplayPort
- ◆ Display Output: 1 x VGA
- ◆ Display IC: NXP - PTN3392 (DP to VGA)
- ◆ Temperature: -10°C ~ 60°C
- ◆ Humidity: 5% ~ 95 non-condensing
- ◆ Dimensions: 50 mm x 50 mm

Packing List

1 x DP-VGA convertor board	1 x QIG
1 x Internal displayport cable, 450 mm length (PN: 32034-000200-100-RS)	

Ordering Information

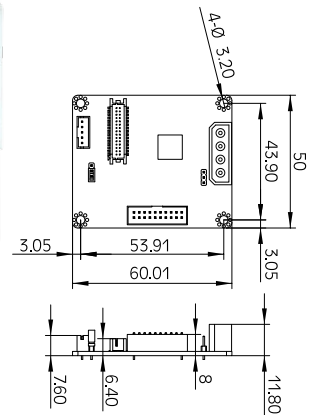
Part No.	Description
DP-VGA-R10	DisplayPort to VGA converter board (For iEi IDP connector), RoHs

DP-LVDS-R10

DisplayPort to 24-bit dual channel LVDS converter board (For iEi IDP connector), RoHs



Dimensions (Unit: mm)



Features

- ◆ DisplayPort to LVDS output
- ◆ Supports 24 bit dual channel up to 1920x1200

Specifications

- ◆ Display Input: 1 x iEi DisplayPort
- ◆ Display Output: 1 x LVDS 24-bit dual channel
- ◆ Display IC: Chronitel - CH7511B (DP to LVDS)
- ◆ Temperature: -10°C ~ 60°C
- ◆ Humidity: 5% ~ 95 non-condensing
- ◆ Dimensions: 60 mm x 50 mm

Packing List

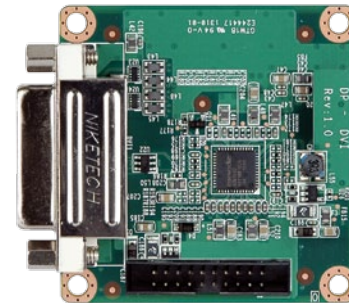
1 x DP-LVDS converter board	1 x QIG
1 x Internal DisplayPort cable, 450 mm length (PN: 32034-000200-100-RS)	

Ordering Information

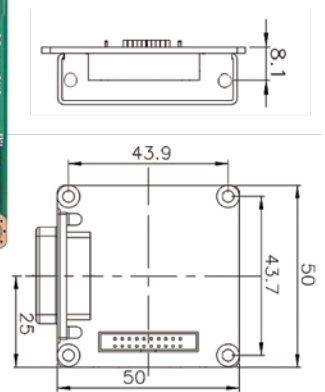
Part No.	Description
DP-LVDS-R10	DisplayPort to 24 bit dual channel LVDS converter board (For iEi IDP connector), RoHs

DP-DVI-R10

DisplayPort to DVI converter board (For iEi IDP connector), RoHs



Dimensions (Unit: mm)



Features

- ◆ DisplayPort to DVI output
- ◆ Support up to 1920x1200 resolution

Specifications

- ◆ Display Input: 1 x iEi DisplayPort
- ◆ Display Output: 1 x DVI
- ◆ Display IC: Parade - PS161 (DP to HDMI / DVI)
- ◆ Temperature: -10°C ~ 60°C
- ◆ Humidity: 5% ~ 95 non-condensing
- ◆ Dimensions: 50 mm x 50 mm

Packing List

1 x DP-DVI converter board	1 x QIG
1 x Internal DisplayPort cable, 450 mm length (PN: 32034-000200-100-RS)	

Ordering Information

Part No.	Description
DP-DVI-R10	DisplayPort to DVI converter board (For iEi IDP connector), RoHs

1 Industrial Computing Solutions

2 Video Capture Solutions

3 Embedded Computing Solutions

4 Automation Control

5 ORing Network Communication

6 Power Supply/ Peripherals

7 Panel Solutions Introduction