

POC-17i-HM55

17" Medical Panel PC features Intel® Core™ i7/i5/i3 mobile processor with Intel® HM55 chipset

POC-19i-HM55

19" Medical Panel PC features Intel® Core™ i7/i5/i3 mobile processor with Intel® HM55 chipset



Features

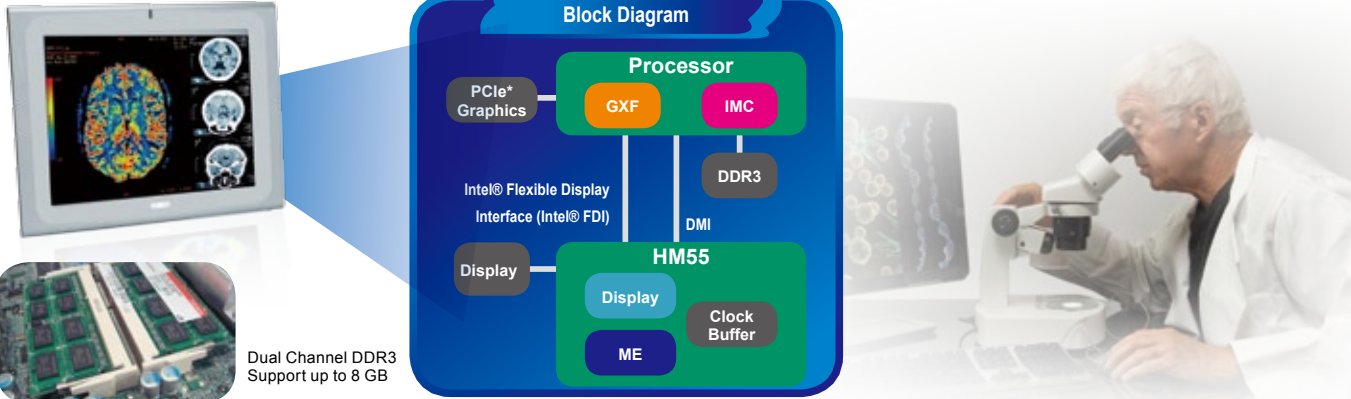
- 17"~19" multi-functional panel PC with touchscreen
- Powered by high-performance Intel® mobile Core™ i7/ i5/ i3 and Celeron® processor with Intel® HM55 chipset
- System memory supports DDR3 SDRAM SO-DIMM up to 8 GB
- HDMI interface provides second display with vivid image quality
- 802.11a/b/g/n high speed wireless
- Dual gigabit Ethernet



Specifications

Model	POC-17i	POC-19i	
LCD Touch Specification	LCD Size (inch)	17"	19"
	Max. Resolution	1280 (W) x 1024 (H)	
	Brightness (cd/m ²)	380	350
	Contrast Ratio	800:1	1000:1
	LCD Color	16.7M	
	Viewing Angle (H-V)	170°/160°	
	Touch Screen	5-wire resistive type	
System	CPU	Socket G (PGA989A) Intel® Core™ i7-620M 2.66G / Core™ i5-520M 2.4G / Core™ i3-350M 2.26G / Celeron® P4500 1.86G	
	Chipset	Intel® HM55	
	Memory	Two 204-pin 800/1066 MHz DDR3 dual-channel SO-DIMM (system max. 8GB)	
	I/O Ports	1 x RS-232 by DB-9 2 x GbE LAN by RJ-45 1 x HDMI port 1 x VGA port by DB-15 1 x Power switch	1 x RS-232 or RS-422/485 by DB-9 4 x USB connector 1 x Audio jack (line-out) 1 x Reset button 1 x Power jack
	Drive Bay	1 x 2.5" SATA HDD bay for SATA storage devices	
	Audio	AMP 3W + 3W (internal speaker)	
	LED Function	One power on/off LED on front panel	
	OSD Function	Five buttons(LCD on/off, Light +/-, Audio +/-)	
Wireless	Wi-Fi	802.11a/b/g/n	
Physical	Construction Material	Anti-bacteria plastic front frame	
	Mounting	Panel, Wall, Rack, Stand and Arm VESA 100 mm x 100 mm	Panel, Wall, Stand and Arm VESA 100 mm x 100 mm
	Net Weight	6.0 kg	6.2 kg
	Dimensions (WxHxD) (mm)	428 x 350 x 76	470 x 383 x 79
Environment	Operating Temperature (°C)	0°C~40°C	
	IP Level	IP 64 compliant front panel	
Power	Power Requirement	DC 12V input	
Power Adapter	Medical Grade. AC 90V~264VAC input to DC 12V output		

The Best Performance Grade with Intel® Mobile Core™ i7/ i5/ i3



Block Diagram

Processor


- PCIe* Graphics
- GXF
- IMC
- DDR3

Intel® Flexible Display Interface (Intel® FDI)

DMI

HM55

- Display
- ME
- Clock Buffer



Dual Channel DDR3 Support up to 8 GB

802.11a/b/g/n Ready with Invisible Antenna

The POC-17i/19i series has two GbE LAN connectors and wireless 802.11a/b/g/n network connection, enabling better connection quality through accurate network selection. The powerful 802.11a/b/g/n wireless connection increases redundancy and ensures reliable network for real-time medical record processing.



27 times faster than 802.11b, no cables or installation fees

	802.11a	802.11b	802.11g	802.11n
Data Rate (Mbps)	54	11	54	54
Range (Radius Indoor)	35 Meters	38 Meters	38 Meters	250 Meters
Range (Radius Outdoor)	120 Meters	140 Meters	140 Meters	250 Meters
Radio Frequency	5.15 GHz to 5.85 GHz	2.4 GHz to 2.5 GHz	2.4 GHz to 2.5 GHz	2.4 GHz or 5.0 GHz

Ordering Information

Part No.	Description
17"	POC-17i-i7/2G/320G-R10 17" Medical Panel PC, with Core i7-620M 2.66GHz, 2 GB DDR3 RAM, 320 GB HDD, wireless 802.11a/b/g/n, touchscreen, power adapter, RoHS
	POC-17i-i5/2G/320G-R10 17" Medical Panel PC, with Core i5-520M 2.4GHz, 2 GB DDR3 RAM, 320 GB HDD, wireless 802.11a/b/g/n, touchscreen, power adapter, RoHS
	POC-17i-i3/2G/320G-R10 17" Medical Panel PC, with Core i3-350M 2.26GHz, 2 GB DDR3 RAM, 320 GB HDD, wireless 802.11a/b/g/n, touchscreen, power adapter, RoHS
	POC-17i-P45/2G/320G-R10 17" Medical Panel PC, with Celeron P4500 1.86GHz, 2 GB DDR3 RAM, 320 GB HDD, wireless 802.11a/b/g/n, touchscreen, power adapter, RoHS
19"	POC-19i-i7/2G/320G-R10 19" Medical Panel PC, with Core i7-620M 2.66GHz, 2 GB DDR3 RAM, 320 GB HDD, wireless 802.11a/b/g/n, touchscreen, power adapter, RoHS
	POC-19i-i5/2G/320G-R10 19" Medical Panel PC, with Core i5-520M 2.4GHz, 2 GB DDR3 RAM, 320 GB HDD, wireless 802.11a/b/g/n, touchscreen, power adapter, RoHS
	POC-19i-i3/2G/320G-R10 19" Medical Panel PC, with Core i3-350M 2.26GHz, 2 GB DDR3 RAM, 320 GB HDD, wireless 802.11a/b/g/n, touchscreen, power adapter, RoHS
	POC-19i-P45/2G/320G-R10 19" Medical Panel PC, with Celeron P4500 1.86GHz, 2 GB DDR3 RAM, 320 GB HDD, wireless 802.11a/b/g/n, touchscreen, power adapter, RoHS

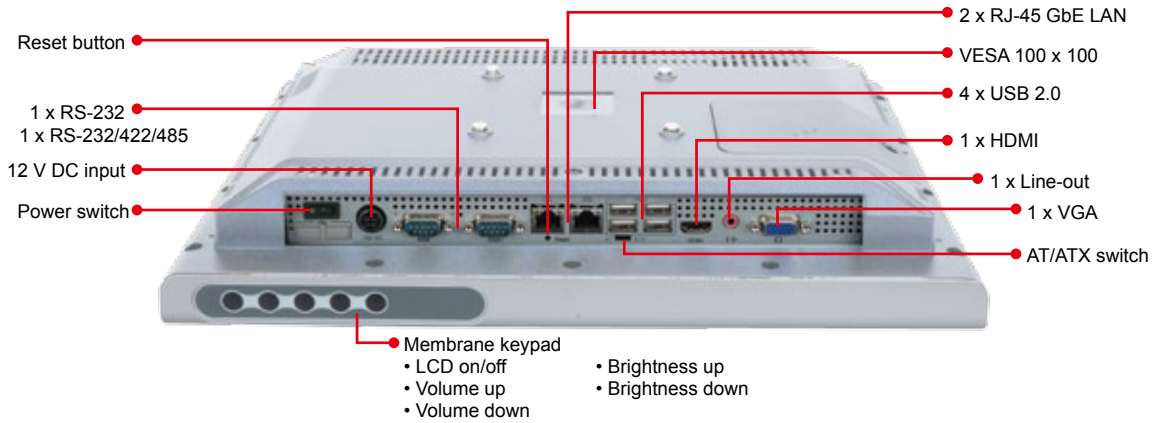
Packing List

Item	Part No.	Q'ty	Description
Utility CD	7B000-000773-RS	1	Drivers and User Manual
Power Adapter	63040-010096-030-RS	1	PMP120-12-S; 90~264VAC Input ; 96W; 12VDC output
Power Cord	32000-000002-RS	1	European, 1830mm
Pen	43125-0002C0-00-RS	1	For Resistive Touch

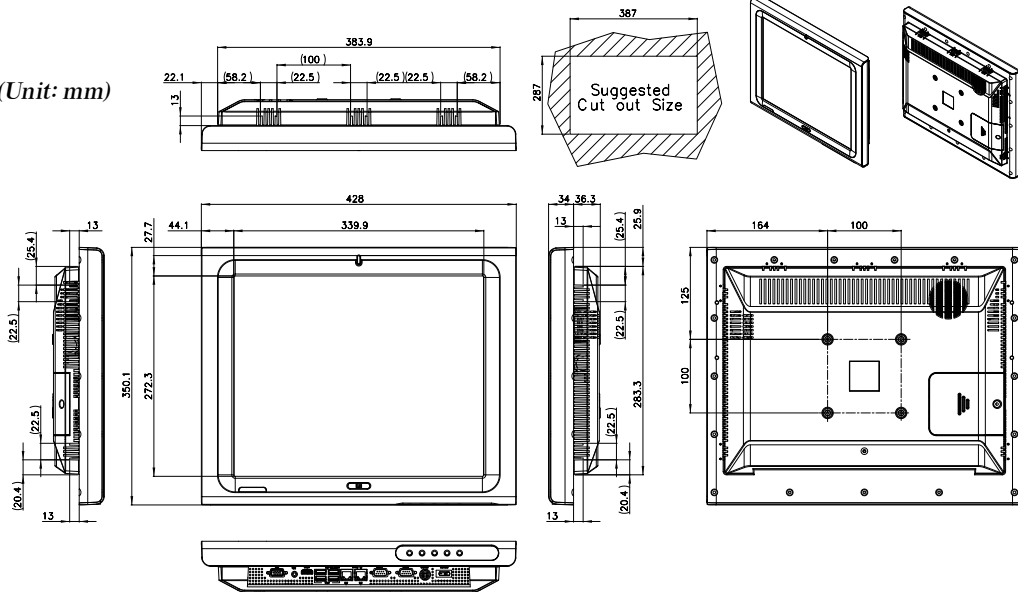
IQ Mounting Options

Item	Part No.
Wall Mount Kit	AFLWK-19B
Arm	ARM-11-RS, ARM-31-RS
Stand	STAND-A19, STAND-A21-R10

I/O Interface



POC-17i
Dimensions (Unit: mm)



POC-19i
Dimensions (Unit: mm)

