

10.4" SVGA AFOLUX Panel PC

**AFL-10A-LX**

AMD Geode™ LX 800 500 MHz Processor

**AFL-10A-N270**

Intel® Atom™ N270 1.6GHz Processor

**AFL-10A-N26**

Intel® Atom™ N2600 1.60 GHz Processor



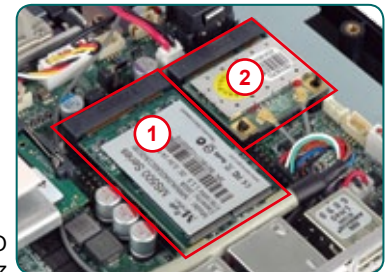
**Advanced Features**

**(1) PCIe Mini card slot compatible with mSATA and PCIe Mini device**

IEI patented PCIe Mini interface provides PCIe x 1 and USB signals such as PCIe Mini SSD and wireless LAN card for full-size or half-size devices!

**(2) Enhanced 2T2R MIMO Technology**

Preinstalled 2.4GHz 802.11b/g/n Wi-Fi module supports 2Tx/2Rx 2-stream MIMO with up to 300Mbps data rate for a 40MHz channel!



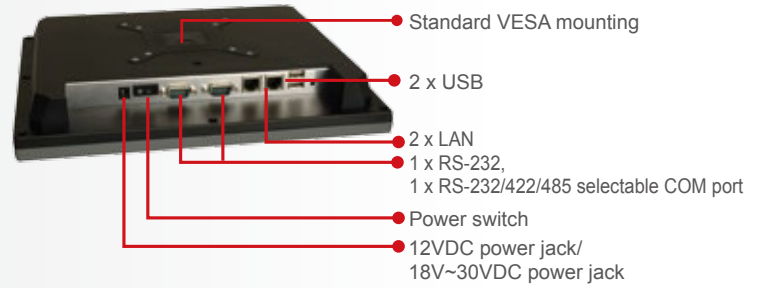
**Specifications**



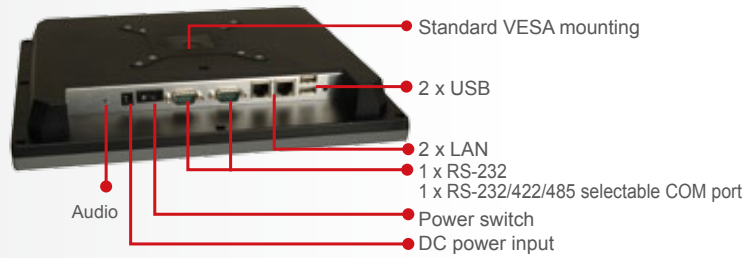
Model	AFL-10A-LX	AFL-10A-N270	AFL-10A-N26
LCD Size		10.4"	
Max Resolution		800 x 600	
Brightness (cd/m <sup>2</sup> )		400	
Contrast Ratio		700:1	
LCD Color		262K	
Pixel Pitch (mm)		0.264 (H) x 0.264 (V)	
Viewing Angle (H-V)		160° / 140°	
Backlight MTBF		50000 hrs (LED Backlight)	
SBC Model	AFLMB-LX-800	AFLMB-945GSE-N270-R10	AFLMB-CV-N2600-R10
CPU	AMD Geode™ LX 800 (500MHz)	Intel® Atom™ processor N270 1.6GHz CPU	Intel® Atom™ N2600 dual core 1.6 GHz CPU
Chipset	AMD LX 800 + AMD CS5536	Intel® 945GSE + ICH7M	Intel® NM10
RAM	Supports one 333MHz or 400MHz DDR2 SO-DIMM (Max.1GB)	Supports one 400MHz or 533MHz DDR2 SO-DIMM (Max. 2GB)	One 800 MHz 204-pin DDR3 SO-DIMM slot (Max. 2GB) pre-installed with 2GB
I/O Ports	1 x RS-232 COM Port 1 x RS-232/422/485 COM Port 2 x RJ-45 for 10/100Mbps LAN 2 x USB 2.0 1 x Power Switch 1 x Reset Button 1 x Power Jack 1 x Audio Port	1 x RS-232 COM Port 1 x RS-232/422/485 COM Port 2 x RJ-45 for Giga LAN 2 x USB 2.0 1 x Power Switch 1 x Reset Button 1 x External SATA 1 x Audio Port 1 x Power Jack	1 x 9-28V lockable DC Jack 1 x RJ-45 for RS-232 1 x RS-232/422/485 1 x VGA 2 x GbE LAN 2 x USB 2.0 1 x Power switch 1 x Reset button 1 x AT/ATX switch 1 x Line out
Storage		CF Type II	mSATA
Watchdog Timer		Software programmable supports 1~255 sec. system reset	
Audio		AMP 1.5W + 1.5W (internal speakers)	AMP 2W + 2W (internal speaker)
Wireless Connection	1 x Wireless LAN 802.11 b/g Module (internal Mini PCI interface)	1 x Wireless LAN 802.11b/g/n Module (internal PCIe Mini card interface)	1 x Wireless LAN 802.11b/g/n 2T2R Module (internal PCIe Mini card interface)
Construction Front Panel		ABS + PC Plastic front frame	
LED Function		1 x Power on/off LED on front panel	
Mounting		Panel, Wall, Rack, Stand and Arm VESA 75mm x 75mm / 100mm x 100mm	
Front Panel Color		Gray 7539U	
Dimensions (WxHxD) (mm)		276 x 222 x 51	
Operation Temperature (°C)	0°C ~ 50°C	-10°C ~ 50°C	-10°C ~ 50°C
Storage Temperature (°C)		-20°C ~ 60°C	
N/G Weight		1.4 Kg	
IP Level		IP 64 compliant front panel	
Safety & EMC		CE / FCC	
Touch Screen		5-wire resistive type (touch controller IC is on board)	
Power Adapter	P/N: 63000-FSP036RAB608-RS 36W Power Adapter Input: 90VAC~264VAC, 50/60Hz Output: 12VDC	P/N: 63000-FSP036RAB608-RS 36W Power Adapter Input: 90VAC~264VAC, 50/60Hz Output: 12VDC	P/N: 63040-010060-040-RS 60W Power Adapter Input: 90VAC~264VAC, 50/60Hz Output: 12VDC
Power Requirement	12V DC	12V DC	9-28V DC
Power Consumption	25W	28W	28W

Fully Integrated I/O

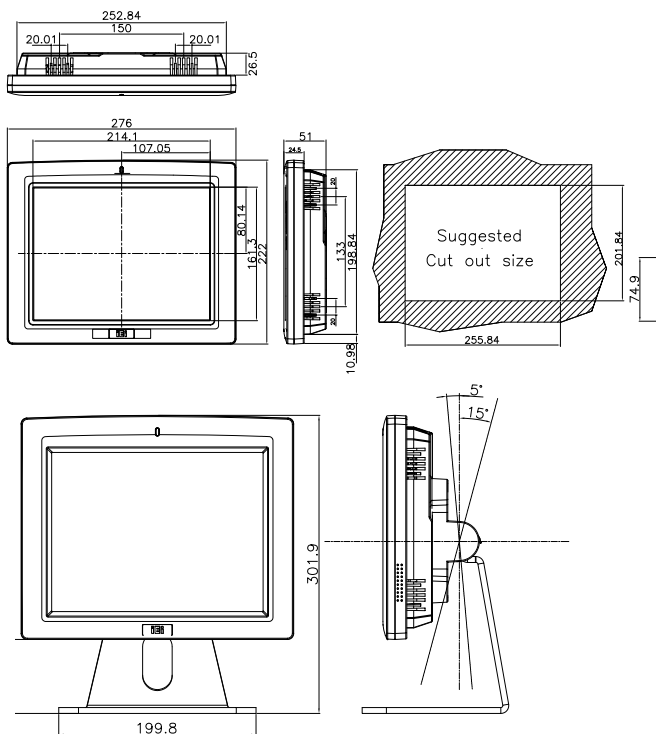
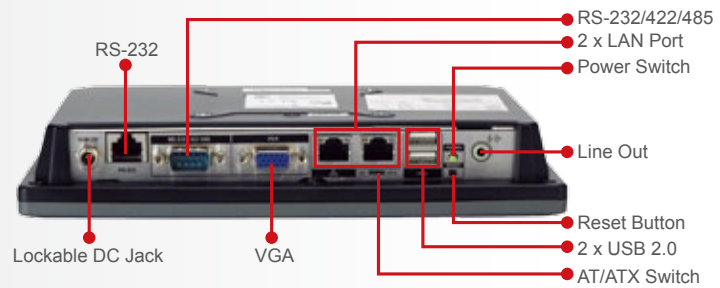
# AFL-10A-LX



# AFL-10A-N270



# AFL-10A-N26



## AFL-10A Dimensions (Unit: mm)



## Ordering Information

Part Number	Description
AFL-10A-LX/R/256-R22	10.4" 400 cd/m <sup>2</sup> , SVGA fanless panel PC with AMD LX-800 CPU, AT/ATX mode, 802.11b/g wireless module, Touch screen and 256MB DDR RAM, R22
AFL-10A-LX/R/512-R22	10.4" 400 cd/m <sup>2</sup> , SVGA fanless panel PC with AMD LX-800 CPU, AT/ATX mode, 802.11b/g wireless module, Touch screen and 512MB DDR RAM, R22
AFL-10A-N270/R/1G-R23	10.4" 400cd/m <sup>2</sup> SVGA fanless panel PC with Intel® Atom™ N270 1.6GHz, 802.11b/g/n wireless module, touch screen, 1GB DDR2 533, R23
AFL-10A-N26/R/2G-R10	10.4" 400cd/m <sup>2</sup> SVGA fanless panel PC with Intel® Atom™ N2600 dual core 1.6GHz, 802.11b/g/n wireless module, touch screen, 2GB DDR3, R10

Note: AFL-10A-LX24V model is without power adapter

## Options

Model	AFL-10A-LX	AFL-10A-N270	AFL-10A-N26
Panel Mounting Kit		AFLPK-12	
Wall Mounting Kit		AFLWK-12	
Rack Mounting Kit		AFLRK-10	
Arm		ARM-11-RS / ARM-31-RS	
Stand		STAND-A12-RS / STAND-100-RS	
VSTAND		VSTAND-A10-R11	
9~30VDC to 12VDC Converter Module		IDD-930160-KIT	
OS: Win CE 5.0 (128 MB CF card)	AFLCF-10-LX-CE-R21	--	--
OS: Win CE 6.0 (128 MB CF card)	AFLCF-10-LX-CE060-R21	AFLCF-07-N270-CE060-R23	--
OS: Win XPE (1 GB CF card)	AFLCF-10-LX-XPE-R21	AFLCF-07-N270-XPE-R23	AFL-W07-N26-XPE-R10*
OS: LINUX (2 GB CF card)	AFLCF-10-LX-LNX-R21	AFLCF-07-N270-LNX-R23	AFL-W07-N26-LNX-R10*
OS: Win 7 Embedded (4 GB CF card or CD-ROM)	--	AFLCF-07-N270-WES7E-R23	AFL-W07-N26-WES7E-R10*
Hybrid Card Reader		AFLP-10AMSI-U	
Magnetic Stripe Reader		AFLP-10AMSR-U	
DC 12V Input UPS		AUPS-A10-R10 (7.4V 3800mAH)	
DC 9~36V Input UPS		AUPS-A20-R10 (7.4V 3800mAH)	
Bluetooth V2.0+EDR		AFL-BT-KIT02-R10	

\*OS image with CD-ROM

## ISMM Supported Functions

	Voltage	Fan	Smart Fan	Temperature	DIO	WDT	Cash Drawer
AFL-10A-LX	V			V		V	
AFL-10A-N270	V			V		V	
AFL-10A-N26	V			V		V	

## Packing List

Item	Part Number	Q'ty	Specification
Screw Pack	44013-030041-RS	4	M3; 5mm
Power Adpater	63000-FSP036RAB608-RS 63040-010060-040-RS (for AFL-10A-N26)	1	90~264V AC; 12V DC; 36W
Power Cord	32000-000002-RS	1	1750mm; European Standard
Utility CD	7B000-000087-RS	1	
Touch Pen	43125-0002C0-00-RS	1	
One Key Recovery CD		1	