

# AR-DP100VW

10.2-Inch(16:9) Display Monitor with VGA, USB Touch Screen



## Features

- 10.2-Inch(16:9) Wide Screen
- LED Backlight with Low Power Consumption
- Resistive Touch Screen
- VESA75 Mounting and Stand
- DC 12~24V Power Input



CE FC (E13)

## Specification

### Panel

Panel Size	10.2-Inch Screen (16:9)
Resolution	Supports from 640 x 480~1024 x 768 pixels
Luminance (cd/m2)	400 nits
View Angle (H/V)	H:140 / V:120
Backlight Lifetime	30,000 hours
Touch Screen Type	4-wire resistive

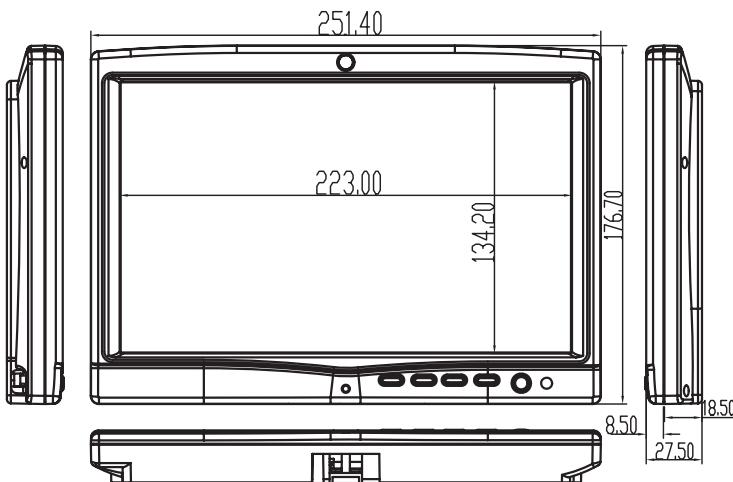
### I/O

Video Interface	1 x VGA
USB	1 x USB for Touch Screen
Audio	1 x 3.5mm stereo Jack

### Power Requirement

Power Input	DC 12~24V
Power Consumption	12W

## Dimension



## Software

### TouchKit Driver Support

Windows: Vista, 9X, Me, NT4.0, 2000, XP, CE.net, CE 2.12, CE 3.0, Embedded, Dos.  
Mac: Mac OS 9X, OS X (Intel CPU).  
Linux: Linux Readme, Mandrake, Red Hat, Fedora Core, SuSE, Debian, Ubuntu, Yellow Dog

## Mechanical & Environment

Chassis Material	Plastic
Dimension (W x H x D)	251.5mm x 176.7mm x 27.5mm
Mounting	VESA 75, Metal Stand
Operating Temp.	-30~85°C
Storage temp.	-40~85°C
Safety	CE, E-Mark, FCC

## Packing List

- User Manual x 1
- Metal Stand x 1
- All-in-One Cable x 1 (VGA / USB / DC Jack / Audio)
- Remote Controller x 1
- Touch Driver CD x 1
- Touch Stylus x 1
- Car Cigarette Lighter Adapter x 1(Option)
- AC Switching Power Supply x 1

