

ACE-A406A

60 W AC-DC ATX open frame power supply



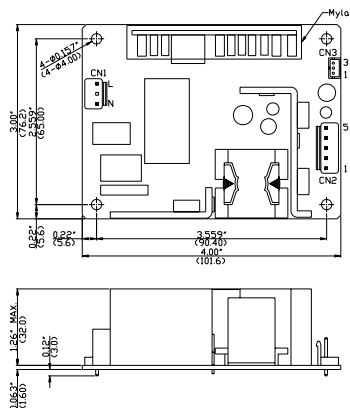
Input Type	90~264 VAC Full Range		
Input Frequency	47 Hz~63 Hz		
Output Voltage	+5V	+12 V	+5 Vsb
	1A	4.5 A (0.5 A min.)	1 A
Efficiency	75 %		
Temperature	Operating : 0 °C~ 50 °C, Storage : -30 °C~ 70 °C		
MTBF(hrs)	100,000		
Output Connector	Optional cable		
Dimensions	76.2 x 101.6 x 32 (mm)		



Ordering Information

Part No.	Description
ACE-A406A-RS	60W AC-DC ATX open frame power supply

Dimensions



60W

Optional 1 AC Input Solution



PN: CB-704EC-RS
20 cm AC input cable with fuse

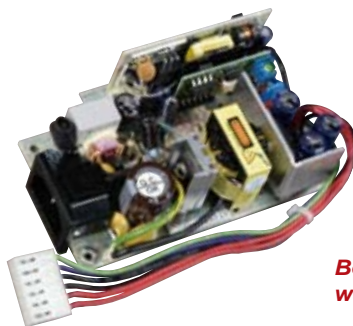
Optional 2 PN: CB-5PSBC-RS

5 Pins connector to DC/DC Power Modules CN4
12V only connector for NANO Series SBC
Cable for SATA HDD

Std 4 Pins 12V, 5V I/O Connector for WAFER, NOVA, Enano Series SBC or I/O devices

ACE-903A

+5V 30 W Embedded ATX Power Supply



Best solution for wafer series

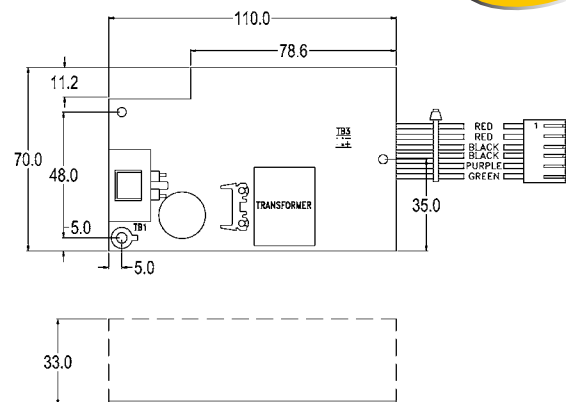
Input Voltage	90 ~ 264VAC			
Input Frequency	47~63Hz			
Output Voltage	Voltage	Min.load	Max.load	Ripple & Noise
	+5V	0A	6A	50mV
	+5Vsb	0A	0.3A	60mV
Efficiency	70%			
Temperature	Operating : 0 ~ 50°C, Storage : -40 ~ 80°C			
MTBF(hrs)	207,606			
Dimensions	70(W)x33(H)x110(D)mm			

PIN Assignments

DC Output Power Connector

Pin 1	Pin 2	Pin 3	Pin 4	Pin 5	Pin 6
+5V	+5V	GND	GND	+5Vsb	PS ON

Dimensions



30W

Optional



PN: CB-903A-RS
Cable for ACE-903A output

Ordering Information

- ACE-903A
+5V 30W Embedded ATX power supply
- CB-903A-RS
30cm, Cable for ACE-903A output