

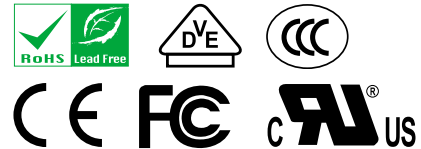
# ACE-4840APM

400W PS/2 Medical Type ATX Power Supply



PFC

Medical

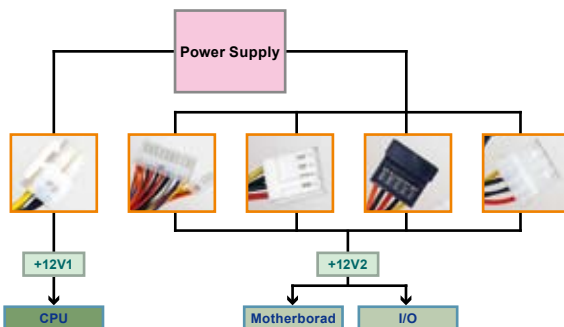


New Version 20+4 PIN POWER SUPPLY

## Features

1. Internal 8 cm fan
2. Meets Medical Safety
3. Line input fuse protection
4. Output over voltage protection
5. Short circuit protection on all outputs
6. Total +12V output up to 34A

## Power Connector +12V



### Dual 12V Separate Lines:

As processors become faster and more highly integrated, more current is required. To reduce power distribution loss, board manufacturers are moving from 5V to 12V power distribution. System components that use 12V are continuing to increase in power.

Version 2.0 of Intel's ATX12V Power Supply Design Guide began recommending dual 12V lines for PSUs that can deliver more than 18A at 12V. Why? To abide by safety requirements of UL and EM 60950, which stipulates not more than 240VA on any wires or exposed traces. Intel's PSU Guide calls for a current limiter that keeps current to under 20A on each of the 12V rails: 12V x 20A = 240VA.

What is the safety reason for this 240VA maximum? It's the maximum recommended for an electronic device that a consumer will have reasonable likelihood of access.

The +12V1 (First +12V rail) supplies the 24-pin ATX main power connector & 4-pin Peripheral Power connector, which feeds for the Mother Board & IO devices.

The +12V2 (2nd +12V rail) supplies the AUX12V 4-pin plug, which feeds only the CPU.

### PICMG1.0 Form Factor Backplane



20+4 pin ATX power connector

### PICMG1.3 Form Factor Backplane PE-10S/6S



## Specifications

<b>Input Voltage</b>	90 ~ 265VAC Full Range			
<b>Input Frequency</b>	47 ~ 63Hz			
<b>Input Current</b>	8A (RMS) for 115VAC			
	4A (RMS) for 230VAC			
<b>Inrush Current</b>	60A MAX. for 115VAC			
	100A MAX. for 230VAC			
<b>Output Voltage</b>	<b>Voltage</b>	<b>Min. load</b>	<b>Max. load</b>	<b>Ripple &amp; Noise</b>
	+3.3V	0.5A min	30A	50mV
	+5V	0.3A min	30A	50mV
	+12V1	1A min	17A	120mV
	+12V2	1A min	17A	120mV
	-5V		0.3A	100mV
	-12V		0.8A	120mV
+5Vsb		2A	50mV	
+3.3V & +5V total output not exceed 180W +3.3V & +5V & +12V total output not exceed 380W				
<b>Over Voltage Protection</b>	+5V	5.7V ~ 6.5V		
	+3.3V	3.7V ~ 4.5V		
	+12V	13.3V ~ 15.6V		
<b>Short Circuit Protection</b>	+3.3V, +5V, +12V short circuit all the output			
<b>Hold Up Time</b>	20ms min.			
<b>MTBF</b>	100,000 hours			
<b>Operating Temperature</b>	0°C ~ 50°C			
<b>Storage Temperature</b>	-20°C ~ 80°C			
<b>Efficiency</b>	68%			
<b>Dimensions</b>	140 x 150 x 86 mm			
<b>Outline Connector</b>	20+4PIN ATX x1, 4PIN 12V CPU x1, HDD/CDROM x5, FDD x2, SATA x2, Extra +5V(P10) x1			

## Ordering Information

Part No.	Description
ACE-4840APM-RS	400W AC-DC PS/2 ATX Power Supply, meet Medical standard, with PFC