



B

10Base-T Category 5 Products (IEEE 802.3)

CAT 5 Patch Cable Assemblies

Belkin offers Ethernet 10Base-T patch cables and related products for any 10Base-T UTP installation. All of our 10Base-T products comply with IEEE 802.3 specifications.

A3L791-03	CAT 5, UTP Patch Cable, 3'	7-22868-10838-3
A3L791-07	CAT 5, UTP Patch Cable, 7'	7-22868-10406-4
A3L791-14	CAT 5, UTP Patch Cable, 14'	7-22868-10402-6
A3L791-25	CAT 5, UTP Patch Cable, 25'	7-22868-10404-0
A3L791-50	CAT 5, UTP Patch Cable, 50'	7-22868-10917-5



A3L791-XX



A3L791-XX-M

UTP Cross-Over Cables

The UTP Cross-Over cable allows you to network 2 computers directly without the use of a hub. This application is perfect for computer gamers or anyone in need of an inexpensive solution.

A3X126-08-5	Cross-Over Cable, 8'	7-22868-15114-3
A3X126-10-5	Cross-Over Cable, 10'	7-22868-14174-8
A3X126-15-5	Cross-Over Cable, 15'	7-22868-15064-1
R6G089-SYN	Cross-Over Coupler	7-22868-12234-1



A3L791-XX-S

Belkin stocks a wide variety of 10Base-T cables in an array of colors. Our 10Base-T cables are also available with molded strain reliefs or "snagless" boots for hassle free network installations. Use the simple example below to specify the cable you need.

Example:

A3L791-XX-CCC-T

(A3L791) denotes the base part number for CAT 5 Patch Cables

(XX) indicates the cable assembly length in feet

(CCC) indicates cable jacket color:

- BLU = blue
- GRN = green
- ORG = orange
- RED = red
- WHT = white
- YLW = yellow
- BLK = black
- PNK = pink
- GRY = gray

(T) denotes the style of CAT 5 Patch Cable:

- M = Patch cable with molded strain relief
- S = Patch cable with "snagless" boot over connector
- H = Shielded cable & connector
- P = Plenum

Absence of letter indicates standard Category 5 Patch Cable.





CAT 5, UTP, Bulk Patch Cable, Solid R7L504

Category 5 Bulk Cables

Category 5 bulk, stranded cable is available in gray, blue, green, orange, red, white, yellow, black and pink colored jackets.

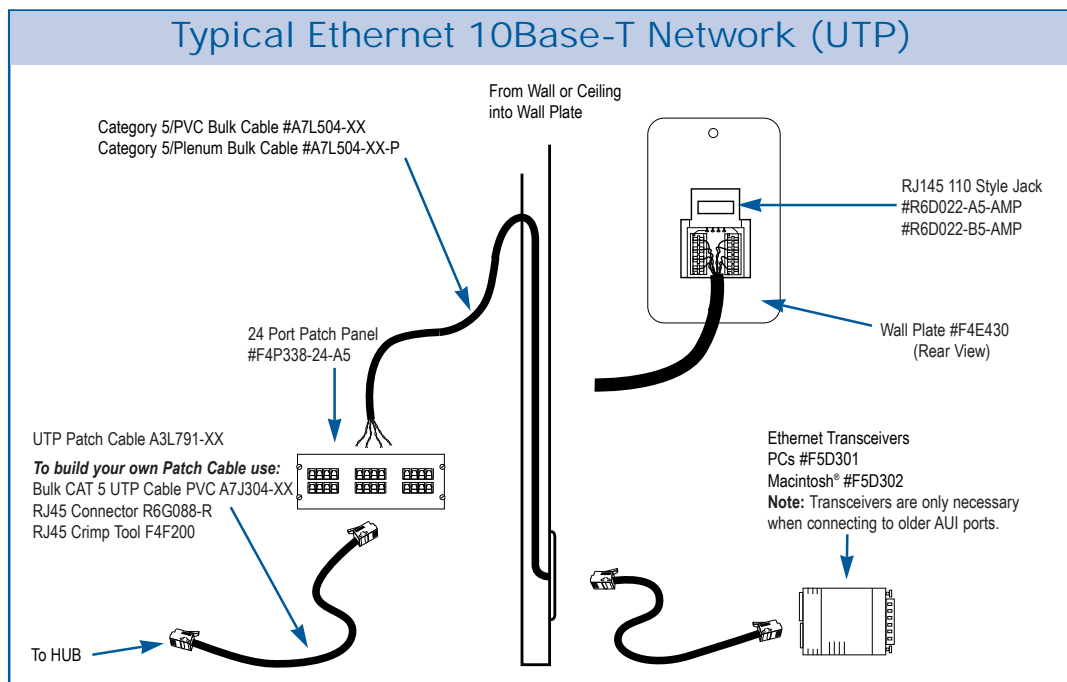
R7J304	CAT 5, UTP, Bulk Patch Cable, Stranded	7-22868-11772-9
A7J304-500	CAT 5, UTP, Bulk Patch Cable, 500', Stranded	7-22868-15441-0
R7L504	CAT 5, UTP, Bulk Patch Cable, Solid	7-22868-11220-5
R7L504-P	CAT 5, UTP, Bulk Patch Cable, Solid, Plenum	7-22868-12249-5
A7L504-250	CAT 5, UTP, Bulk Patch Cable, 250', Solid	7-22868-11257-1
A7L504-250-P	CAT 5, UTP, Bulk Patch Cable, 250', Solid, Plenum	7-22868-15134-1
A7L504-1000	CAT 5, UTP, Bulk Patch Cable, 1000', Solid	7-22868-10812-3
A7L504-1000-P	CAT 5, UTP, Bulk Patch Cable, 1000', Solid, Plenum	7-22868-10963-2



CAT 5, UTP, Bulk Patch Cable, Solid A7L504-250

Category 5 Tools

F4F198	RJ45 Modular Crimp Tool	7-22868-10488-0
F4F200	RJ45 Premium Crimp Tool	7-22868-10778-2
F4F242-1	110 PunchDown Tool w/Blade	7-22868-12450-5
F8E025	TeleCom Termination Toolkit with 3 Position Crimp Tool and connectors	7-22868-13819-9
F4F310	10/100 Base-T Starter Kit w/essentials to install 5 nodes	7-22868-13861-8



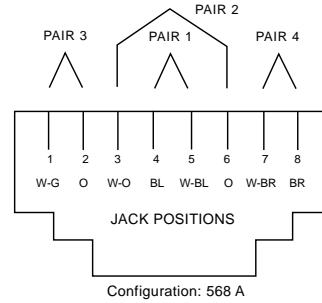


Category 5 Connectors

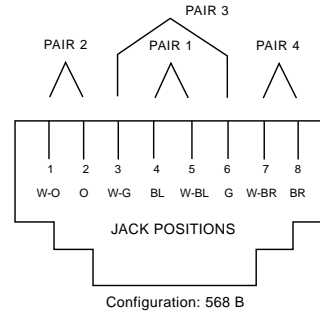
R6D022-B5-AMP	RJ45 110-Style Jack 568B Color Code, CAT 5	7-22868-10525-2
R6D022-A5-AMP	RJ45 110-Style Jack 568A Color Code, CAT 5	7-22868-11360-8
R6G088-R-10	CAT 5 RJ45 Modular Plug, 10 Pack	7-22868-10518-4
R6G088-R-50	CAT 5 RJ45 Modular Plug, 50 Pack	7-22868-10534-4
R6G088-R-100	CAT 5 RJ45 Modular Plug, 100 Pack	7-22868-10535-1
R6L052	CAT 5 RJ45 Modular Plug Solid Wire	7-22868-10859-8
R6G089-S	CAT 5 RJ45 Coupler, Female/Female, Straight	7-22868-11001-0
R6G091-GRY-10	RJ45 Rubber Boot, Snagless, Gray, 10-Pack	7-22868-13172-5
R6G091-GRN-10	RJ45 Rubber Boot, Snagless, Green, 10-Pack	7-22868-13170-1
R6G091-RED-10	RJ45 Rubber Boot, Snagless, Red, 10-Pack	7-22868-13168-8
R6G091-BLU-10	RJ45 Rubber Boot, Snagless, Blue, 10-Pack	7-22868-13169-5



Category 5 Connector R6D022-A5-AMP



Category 5 Connector R6D022-B5-AMP



Category 5 Patch Panels

F4P338-12-A5-WM	12-Port Patch Panel, CAT 5, 110 Punchdown, 568A, Wallmount	7-22868-14018-5
F4P338-12-B5-WM	12-Port Patch Panel, CAT 5, 110 Punchdown, 568B, Wallmount	7-22868-15140-2
F4P338-12-A5	12-Port Patch Panel, CAT 5, 110 Punchdown, 568A, Rackmounted	7-22868-15881-4
F4P338-12-B5	12-Port Patch Panel, CAT 5, 110 Punchdown, 568B, Rackmounted	7-22868-15933-0
F4P338-24-A5	24-Port Patch Panel, CAT 5, 110 Punchdown, 568A	7-22868-11167-3
F4P338-24-B5	24-Port Patch Panel, CAT 5, 110 Punchdown, 568B	7-22868-14103-8
F4P338-48-A5	48-Port Patch Panel, CAT 5, 110 Punchdown, 568A	7-22868-10781-2
F4P338-48-B5	48-Port Patch Panel, CAT 5, 110 Punchdown, 568B	7-22868-14458-9

Category 5 Wallplates

F4E430	1-Position RJ45 Wall Plate	7-22868-10523-8
F4E440	2-Position RJ45 Wall Plate	7-22868-11202-1
F4E450	3-Position RJ45 Wall Plate	7-22868-12182-5
F4E470	6-Position RJ45 Wall Plate	7-22868-14221-9
F4E480	Surface Mounting Box, Flush-Style	7-22868-12761-2



Category 5 Wallplate F4E440



Ethernet Transceiver, DB15 Male/RJ45 Female F5D301-E

OmniView™



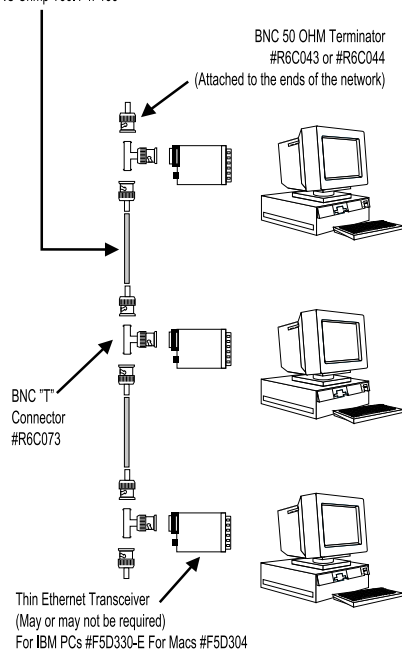
Utilize multiple PCs with a single keyboard, monitor and mouse. This is perfect for network administrators and

is available in 2, 4, and 6 port formats. For a complete listing of our OmniView™ models and accessories go to pages 76 and 77 in section C.

Typical Thin Ethernet Network (50 Ohm COAX)

Thin Ethernet Patch Cable A3K101-Length

To build your own patch cable use: Bulk Thin Ethernet Coax Cable A7H9907-Length BNC Connector R6C103 BNC Crimp Tool F4F135



Category 5 Essentials

F4E490	Surface Mounting Box, Requires RJ45 Wall Plate	7-22868-11841-2
F4D110	Distribution Rack, 19"W x 84"H, Steel	7-22868-10775-1
F4D111	Equipment Relay Rack, 19"W x 84"H, Aluminum	7-22868-15926-2
F4D153	Equipment Shelf, 17"W x 15"D, Brushed Metal	7-22868-11447-6

Ethernet Transceivers

Category 5 Transceivers allow you to utilize your Network Interface Card in the 10Base-T format.

F5D301-E	10Base-T Ethernet Transceiver, DB15 Male/RJ45 Female	7-22868-10806-2
F5D302	AUI Transceiver, 14 Position Mini Centronics to RJ45 Female	7-22868-10087-5
F5D303	10Base-T/10Base-2 Converter RJ45 Female and BNC Female	7-22868-10456-9

Category 5 AUI Drop Cable

F3J302-01	CAT 5 Transceiver Drop Cable, 1'	7-22868-15142-6
F3J302-03	CAT 5 Transceiver Drop Cable, 3'	7-22868-10186-5
F3J302-06	CAT 5 Transceiver Drop Cable, 6'	7-22868-10089-9
F3J302-12	CAT 5 Transceiver Drop Cable, 12'	7-22868-11100-0

10Base-2 Thin Ethernet Products (IEEE 802.3)

Belkin offers a wide selection of standard cables and related products for Thin Ethernet Networks. Each product is fully warranted to meet the appropriate Ethernet specifications.

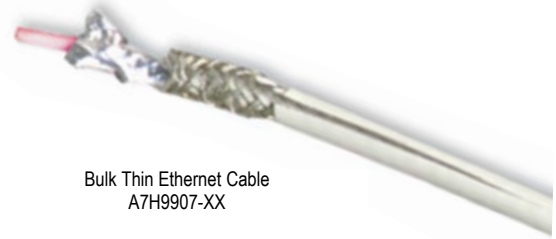
10Base-2 Patch Cables

A3K101-06	Thin Ethernet Cable, 50 Ohm, BNC Male/Male 6'	7-22868-10225-1
A3K101-10	Thin Ethernet Cable, 50 Ohm, BNC Male/Male 10'	7-22868-10308-1
A3K101-20	Thin Ethernet Cable, 50 Ohm, BNC Male/Male 20'	7-22868-10470-5
A3K101-50	Thin Ethernet Cable, 50 Ohm, BNC Male/Male 50'	7-22868-10307-4



Bulk Thin Ethernet Cables

R7H9907	Thin Ethernet Bulk Coax, Shielded, PVC	7-22868-10884-0
R7H9907-P	Thin Ethernet Bulk Coax, Shielded, Plenum	7-22868-12342-3
A7H9907-250	250' Spool Thin Ethernet Bulk Coax, Shielded, PVC	7-22868-10662-4
A7H9907-P-250	250' Spool Thin Ethernet Bulk Coax, Shielded, Plenum	7-22868-11262-5
A7H9907-1000	1000' Spool Thin Ethernet Bulk Coax, Shielded, PVC	7-22868-10661-7
A7H9907-P-1000	1000' Spool Thin Ethernet Bulk Coax, Shielded, Plenum	7-22868-10808-6



Bulk Thin Ethernet Cable
A7H9907-XX

BNC Connectors and Couplers

R6C103	BNC Male Crimp Connector, RG58	7-22868-10790-4
R6C103-P	BNC Male Crimp Connector, RG58, Plenum	7-22868-11506-0
R6C148	BNC Male Crimp Connector, RG59/62	7-22868-11395-0
R6C073	BNC "T" Connector, Male/Female/Female	7-22868-10202-2
R6C133	BNC Male Twist-On Connector, RG59/62	7-22868-12359-1
R6C133-P	BNC Male Twist-On Connector, RG59/62, Plenum	7-22868-15143-3
R6C223	BNC Bulkhead, Female/Female, w/Nut	7-22868-15144-0
R6C208	BNC Coupler Female/Female, RG58	7-22868-10511-5



BNC Male Crimp Connector
R6C103



BNC "T" Connector
R6C073

BNC Terminators

R6C043	BNC Male Terminator, 50 Ohm, RG58	7-22868-10200-8
R6C044	BNC Terminator, 50 Ohm, RG58 w/Chain Ground	7-22868-10227-5
R6C058	BNC Male Terminator, 75 Ohm	7-22868-15145-7
R6C065	BNC Male Terminator, 93 Ohm	7-22868-10204-6



BNC Male Terminator
R6C043

10Base-2 Tools

F4F135	Premium RG58 BNC Crimp Tool	7-22868-10809-3
F8E026	9 Piece Coax Toolkit w/5 Dies	7-22868-13820-5



BNC Terminator w/Chain Ground
R6C044